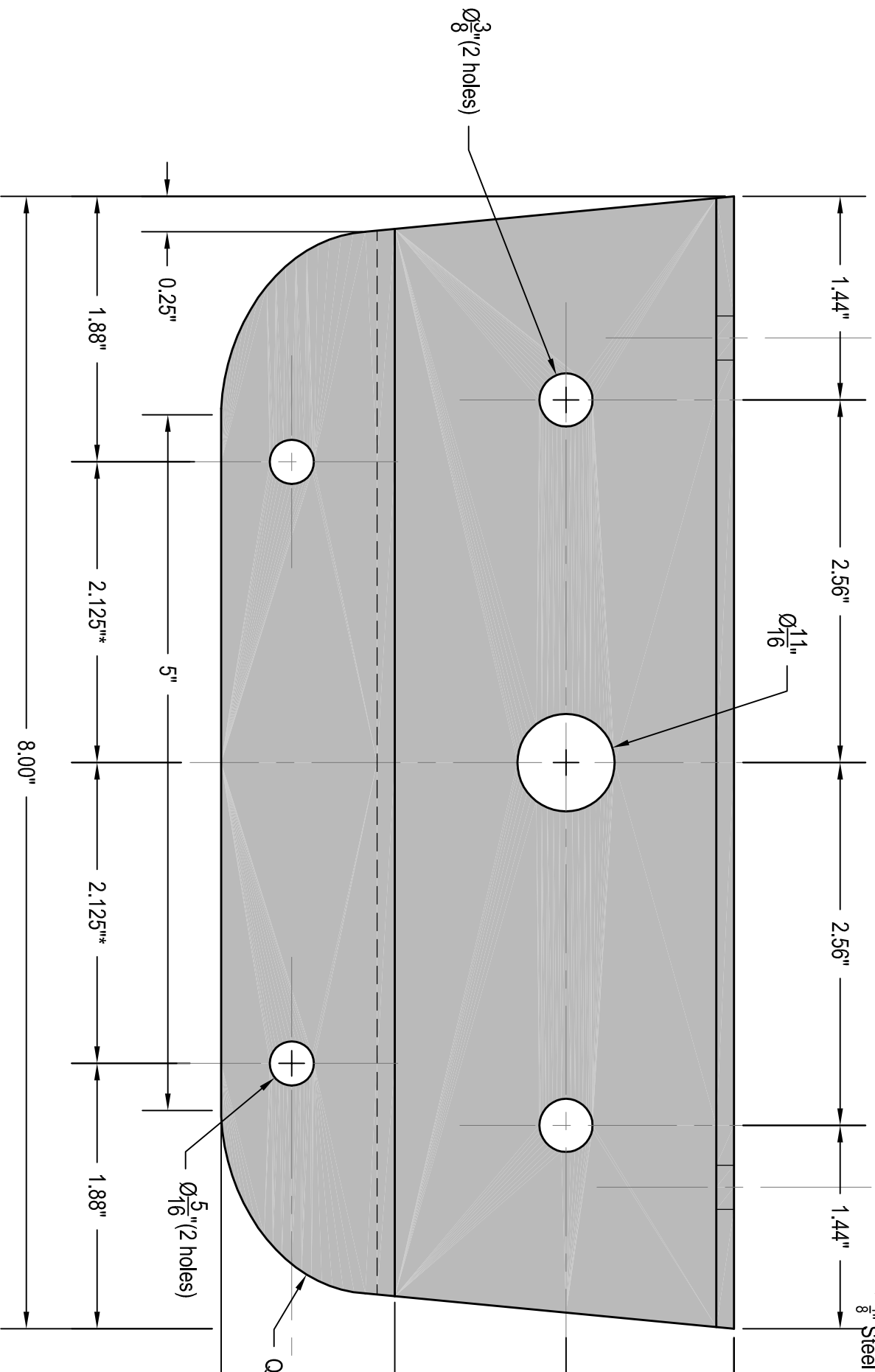
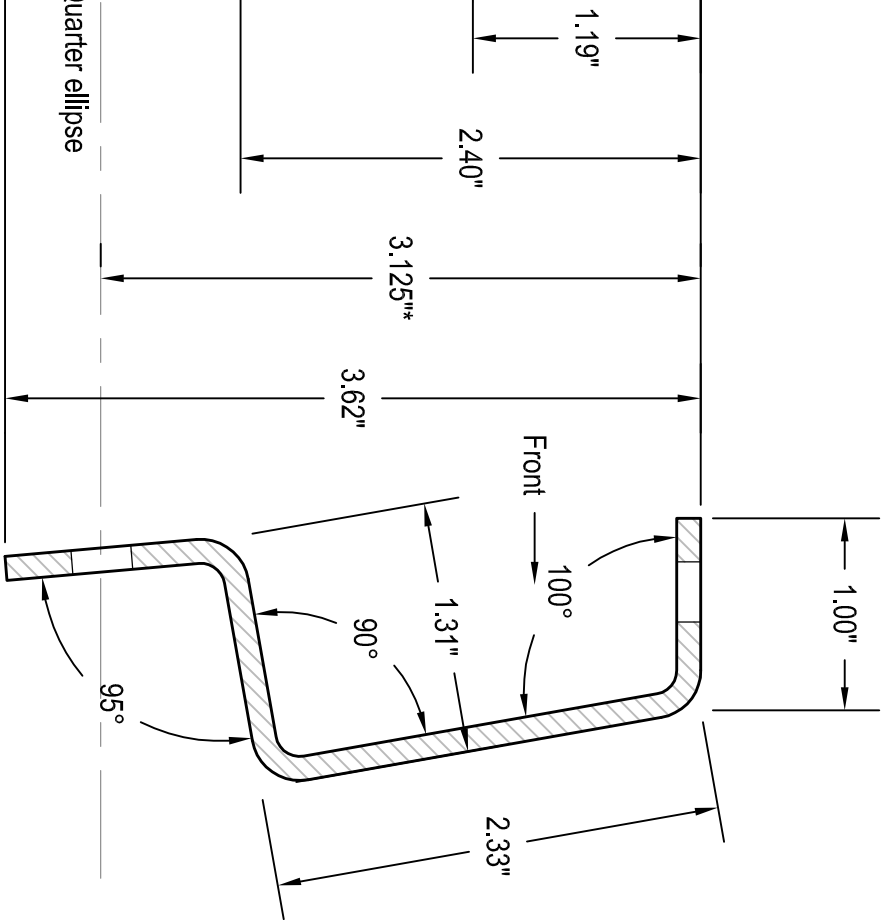


TOP VIEW



FRONT VIEW



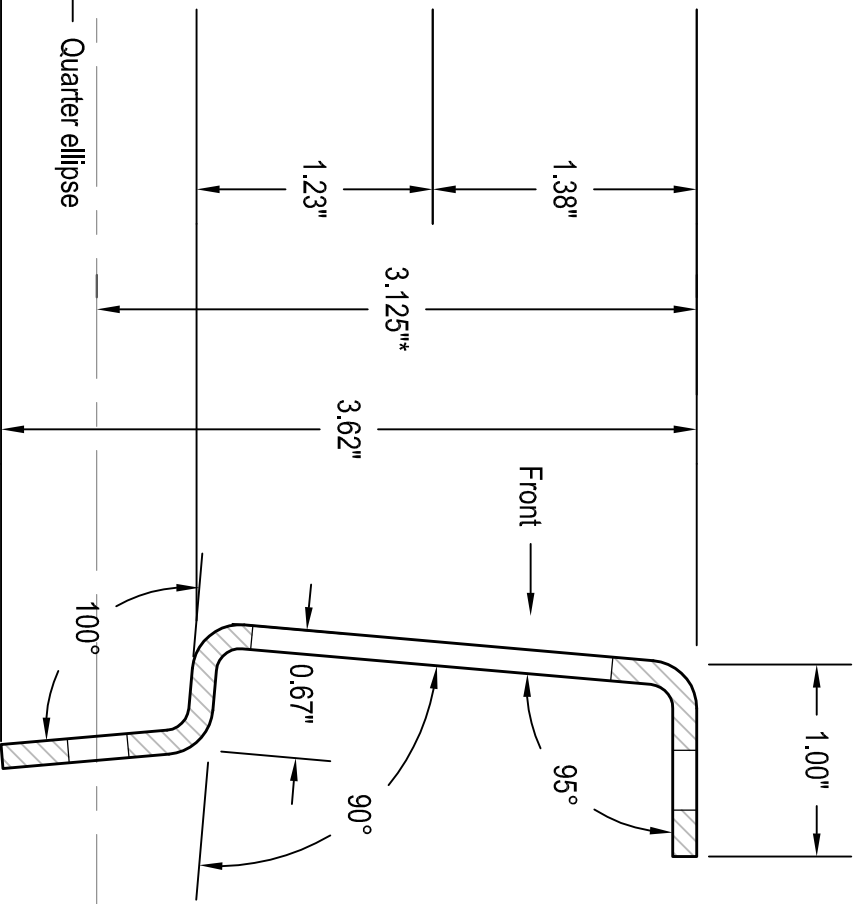
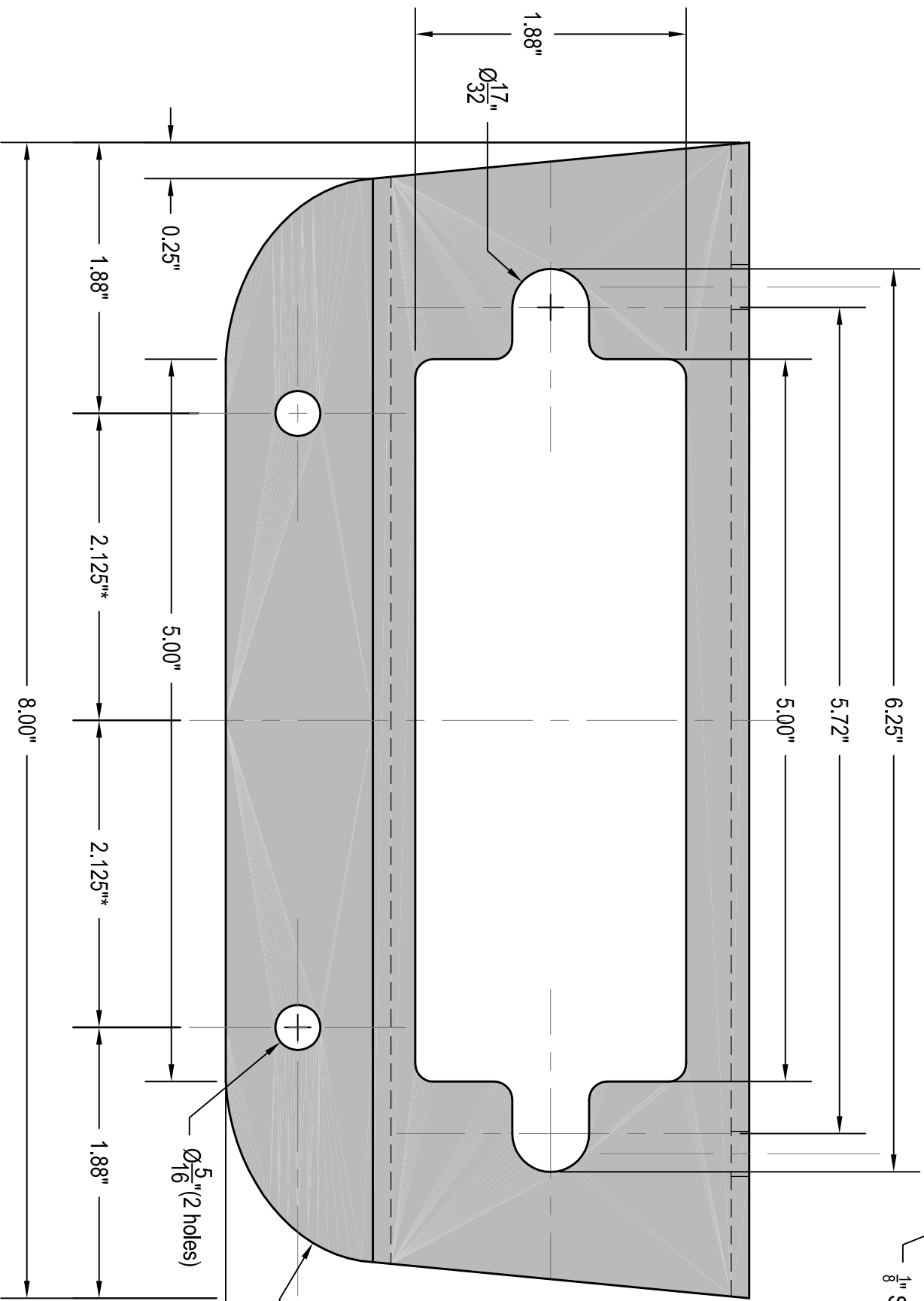
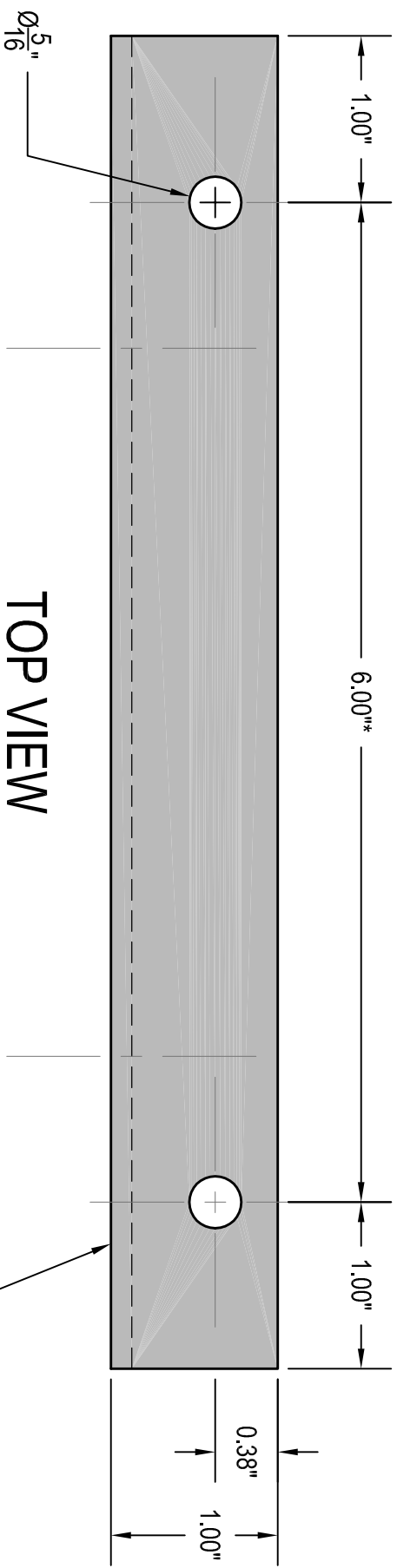
SECTION

* These dimensions are the critical dimensions that will insure proper fit in the car.

Disclaimer: Every attempt has been made to provide an accurate and detailed representation of this piece; however, I cannot, in any way, guarantee the accuracy or usefulness of this drawing. In other words, use this drawing at your own risk!
A special thanks to Carl Sereda who provided dimensions based on his measurements of actual brackets

Triumph TR4 Radio Bracket (Early Style)

Date: 3-12-05
 Scale: 1"=1"
 By: K. Jones (kurtisj123@gmail.com)
www.geocities.com/tr4_1963



* These dimensions are the critical dimensions that will insure proper fit in the car.

Disclaimer: Every attempt has been made to provide an accurate and detailed representation of this piece; however, I cannot, in any way, guarantee the accuracy or usefulness of this drawing. In other words, use this drawing at your own risk!
 A special thanks to Carl Sereda who provided dimensions based on his measurements of actual brackets

Triumph TR4 Radio Bracket (Late Style)

Date: 3-12-05
 Scale: 1"=1"
 By: K. Jones (kurtisj123@gmail.com)
 www.geocities.com/tr4_1963